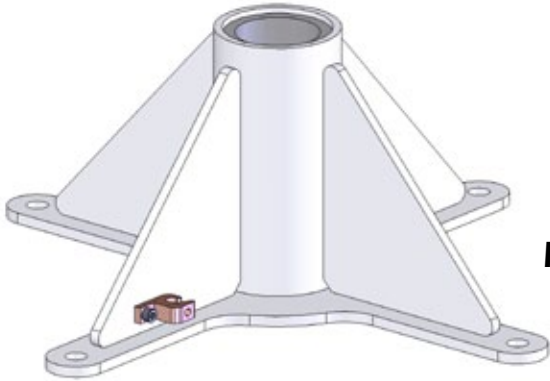


EZ Surface Mount Anchor

PART #: F-035EZSM

MANDATORY – LEAVE THIS MANUAL WITH LIFT OWNER



Read & follow all instructions
Lift safety can only be ensured if the lift is installed
and operated according to these instructions



NEVER permit children to play on or around the lift
Do not allow children to use the lift without adult supervision



NEVER apply direct water pressure to the electronics



NEVER use the lift with a dry pool



For safety reasons, **NEVER** swim alone

9889 Garrymore Ln
Missoula, MT 59808
888-687-3552 | +1-406-549-0769
aquacreek.com



SAVE a copy of these instructions

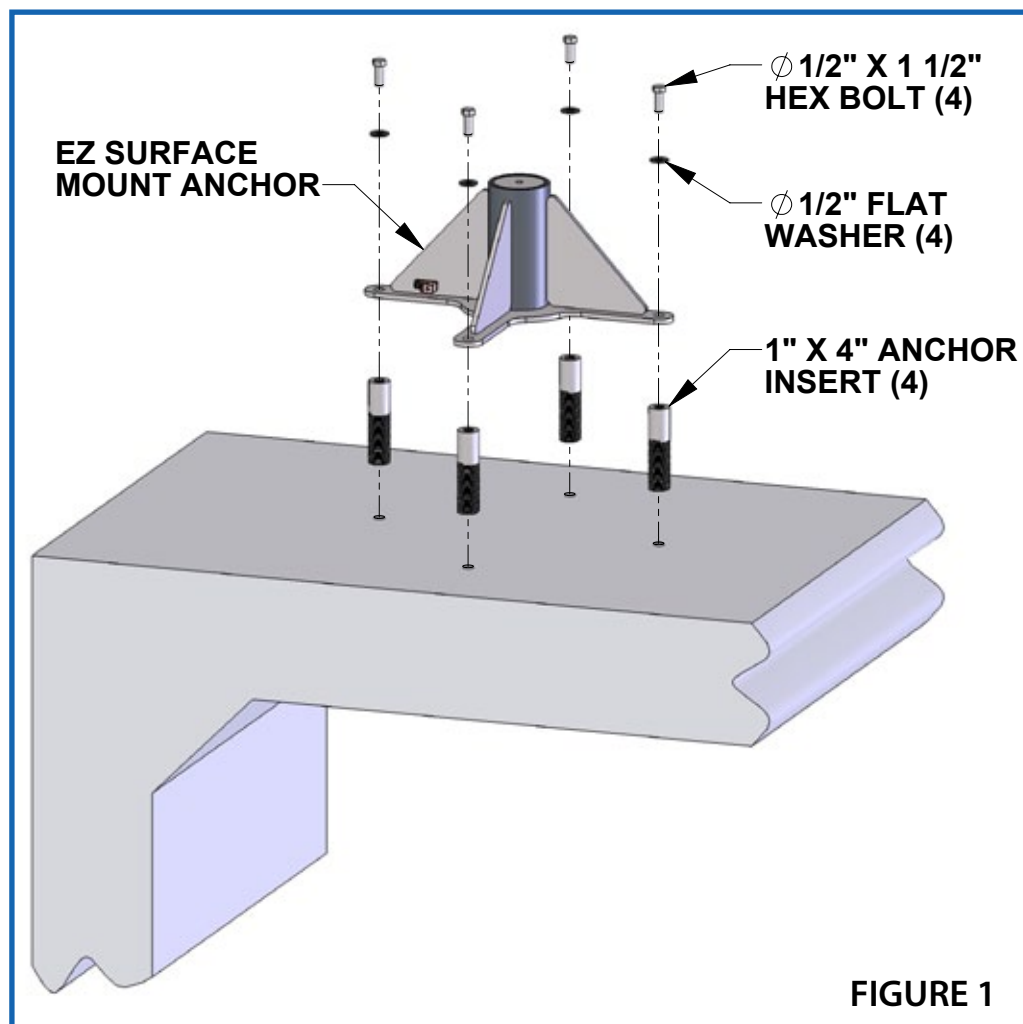
Packing List & Installation Instructions

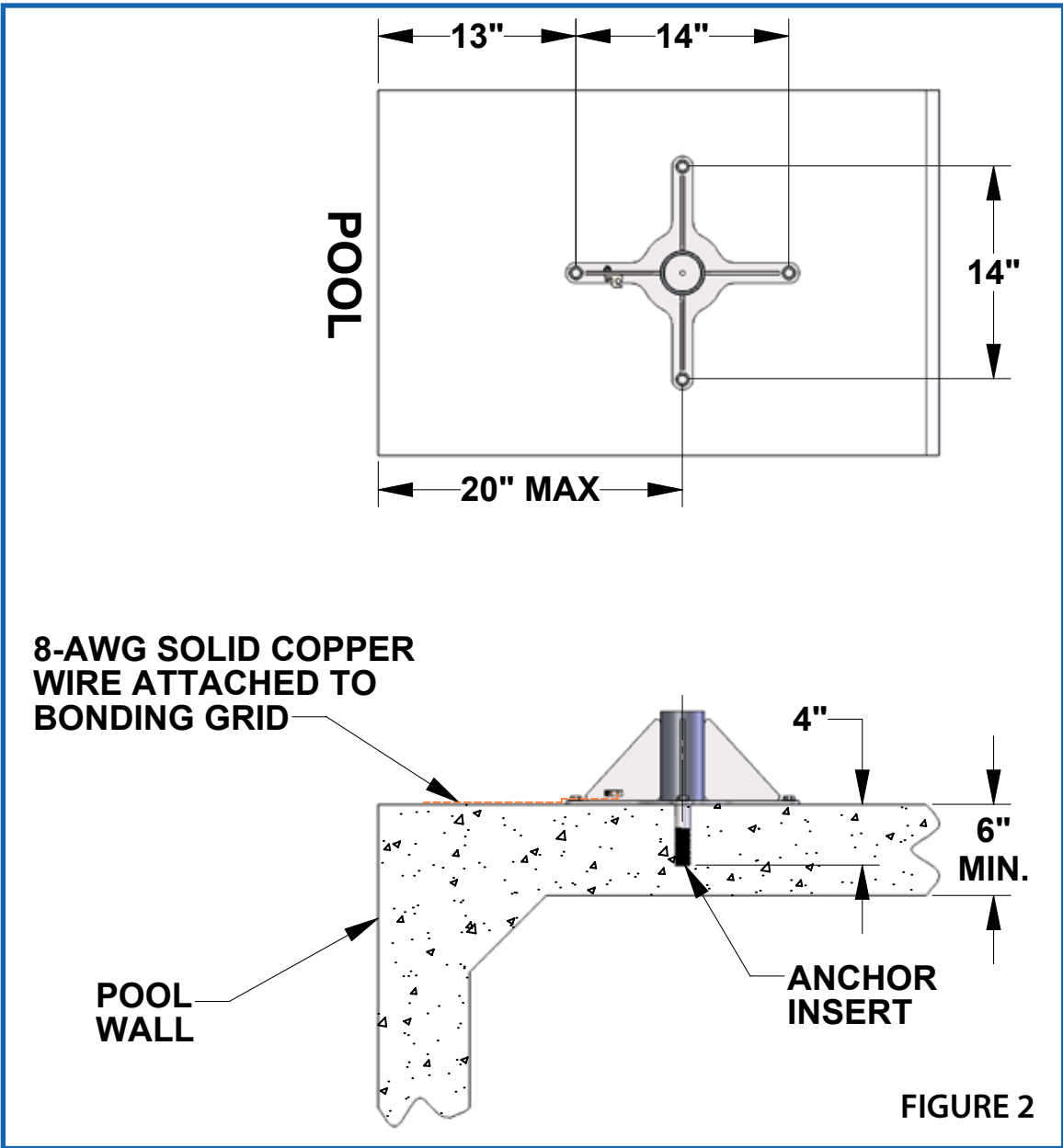
PACKING LIST:

QTY	DESCRIPTION
1	SURFACE MOUNT ANCHOR, EZ
4	WASHER, FLAT, 1/2, 316 SS
4	BOLT, 316 SS, 1/2 X 1 1/2 HCS
4	ANCHOR INSERT, 1" x 4"

INSTALLATION INSTRUCTIONS:

1. Find the desired location for the lift. The setback (the distance from the center of the anchor to the inside pool wall) can be no more than 20" as shown in FIGURE 2 on the next page.
2. Using the anchor as a template, drill four (4) 1 1/2" holes at the four bolt locations to a depth of 4 1/2". Clean all debris from the hole.
3. Fill the holes 1/2 full with two part construction epoxy.
4. Set the 1" x 4" anchor inserts into the holes. Wiggle inserts to be sure the epoxy gets on all sides. Make sure the anchors end up flush with the concrete's surface.
5. Mount the SURFACE MOUNT ANCHOR to the deck using four (4) 1/2" x 1 1/2" hex bolts, and four (4) 1/2" flat washers. Tighten the bolts until snug plus 1/2 turn.





CHECK YOUR LOCAL ELECTRICAL CODES FOR: BONDING REQUIREMENTS FOR POOL EQUIPMENT. ALWAYS BOND UNIT PER LOCAL ELECTRICAL CODES.